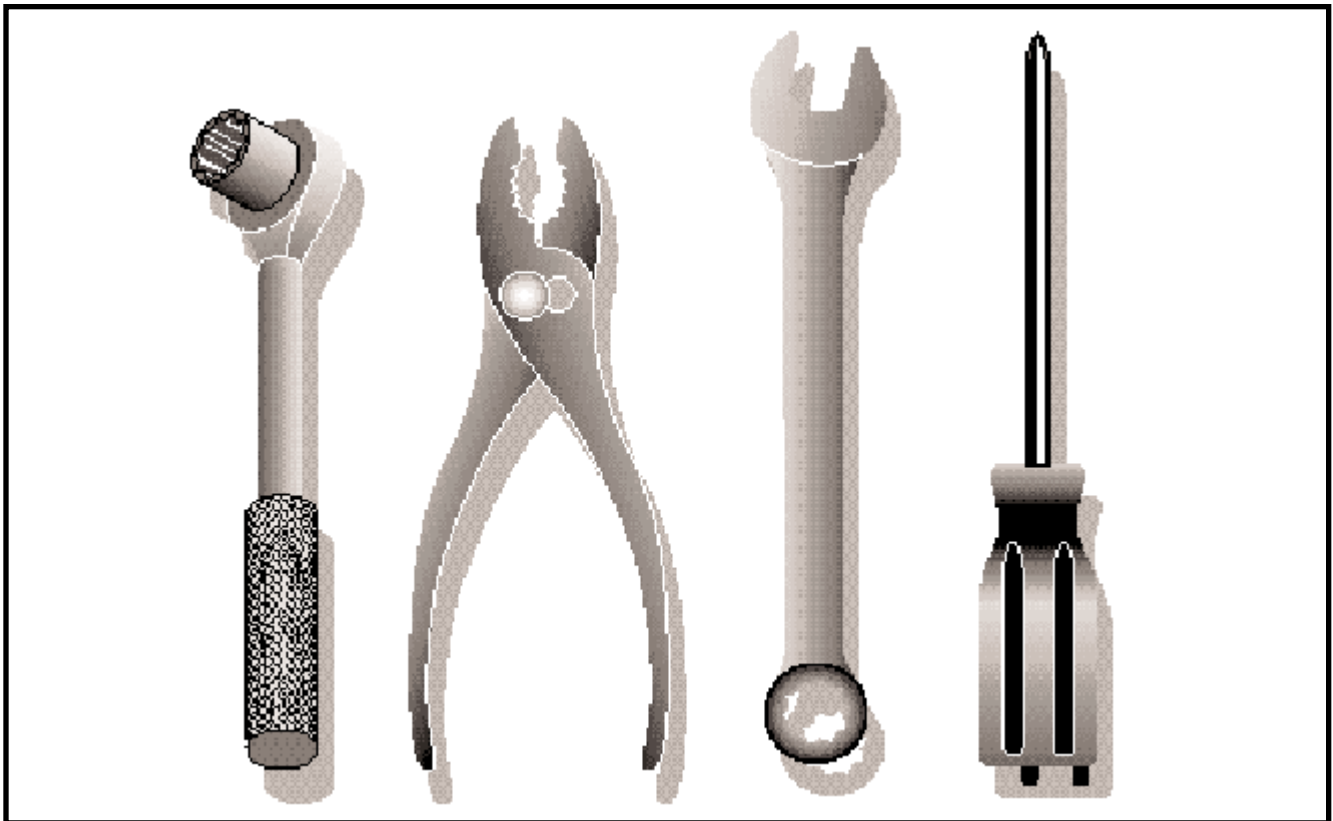


GTH 2248 XP B

954567888

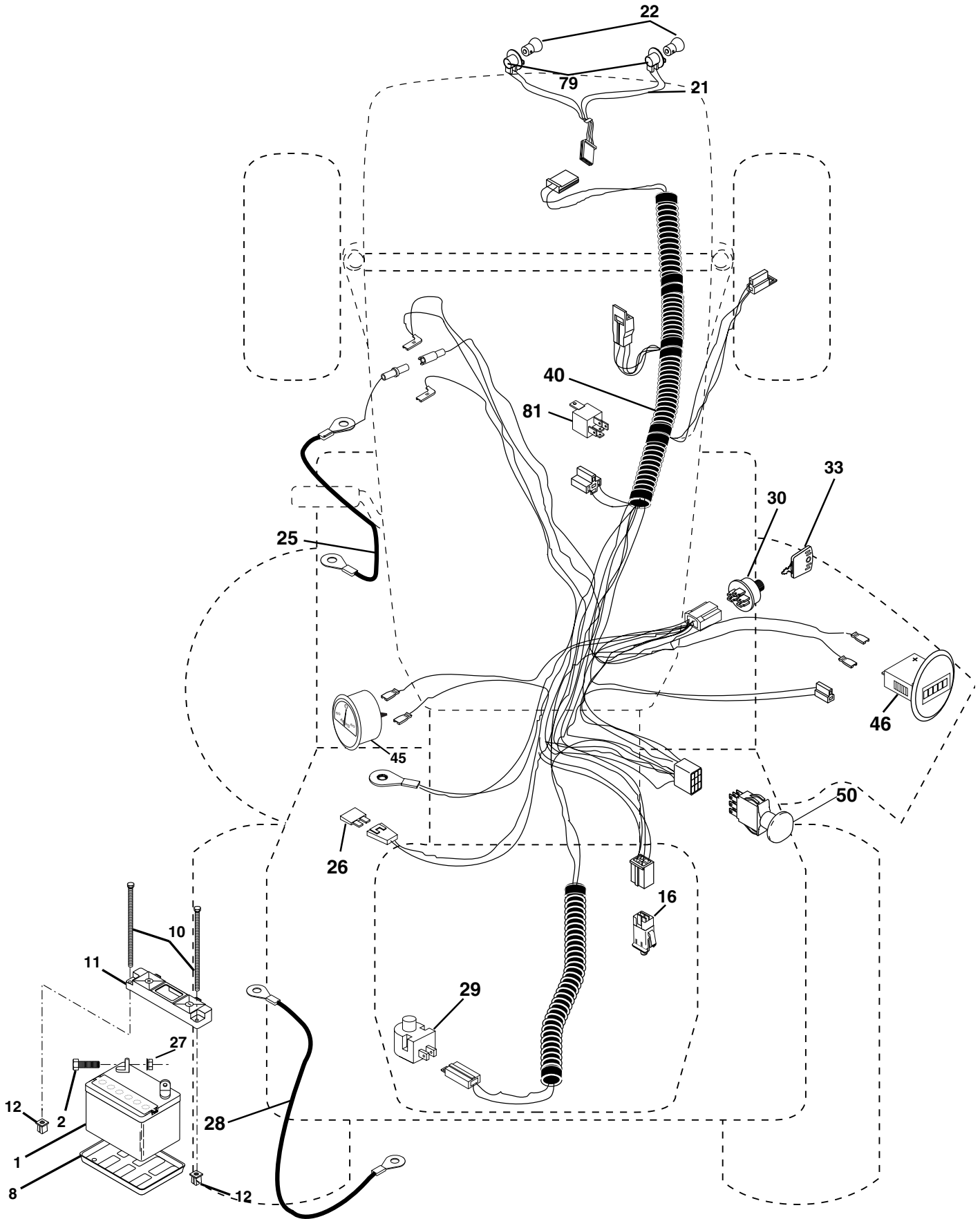


Repair Parts Manual

Ride Mower

REPAIR PARTS

TRACTOR - MODEL NO. GTH2248XP (GTH2248XPB), PRODUCT NO. 954 56 78-88
ELECTRICAL



REPAIR PARTS

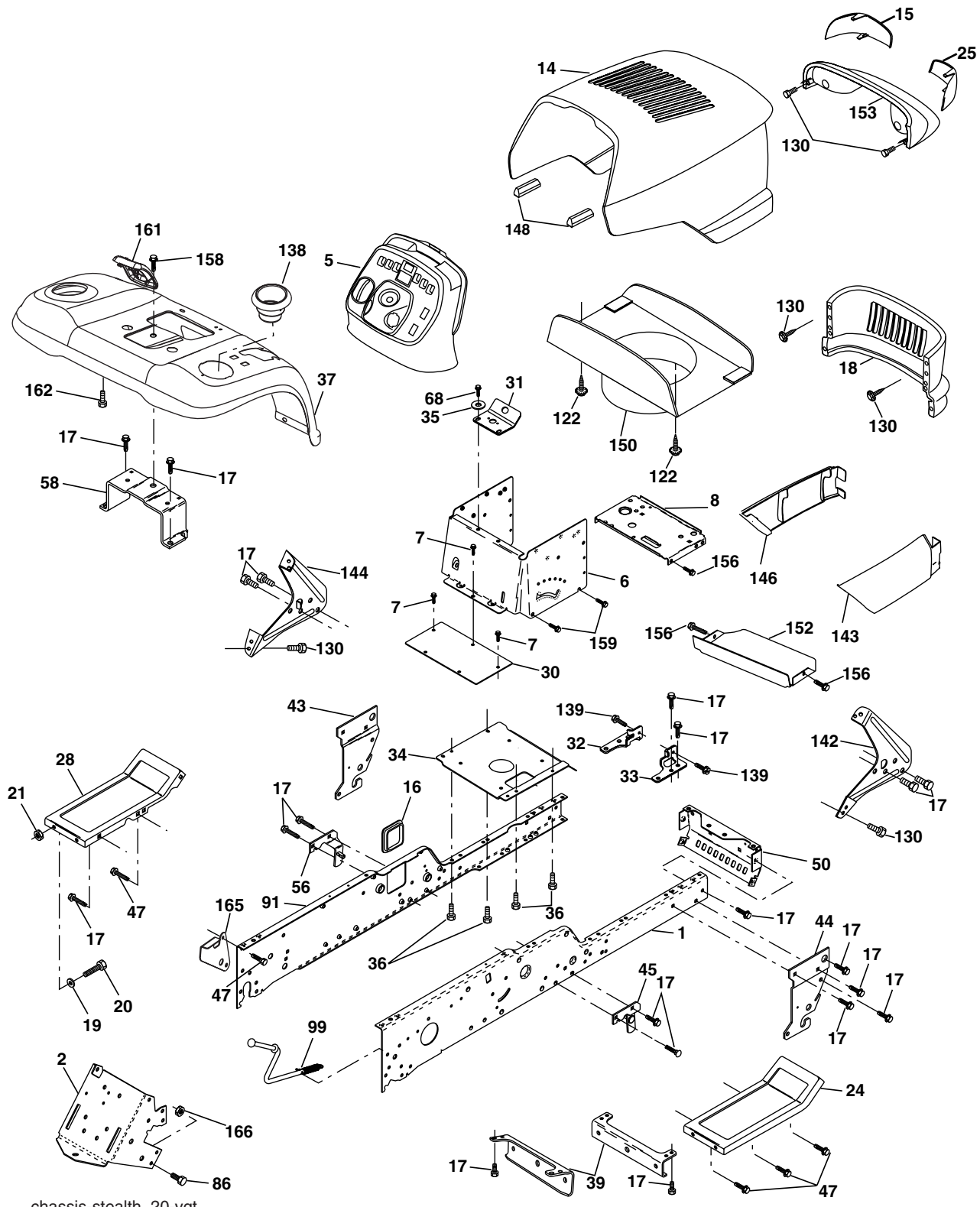
TRACTOR - MODEL NO. GTH2248XP (GTH2248XPB), PRODUCT NO. 954 56 78-88
ELECTRICAL

KEY NO.	PART NO.	DESCRIPTION
1	532 14 49-27	Battery
2	874 76 04-12	Bolt Hex Head 1/4-20 x 3/4
8	532 12 48-86	Tray, Battery
10	532 14 52-11	Bolt, Battery Front 1/4-20 x 7.5 Zinc
11	532 15 01-09	Holddown Battery Front Mount
12	532 14 57-69	Nut, Push Nylon 1.4" Battery Front
16	532 17 61-38	Switch Interlock Push-In
21	532 17 56-88	Harness Socket Light w/4152J
22	532 00 41-52	Bulb
25	532 17 76-62	Cable, Battery
26	532 10 88-24	Fuse
27	873 51 04-00	Nut Keps Hex 1/4-20
28	532 17 06-97	Cable, Ground
29	532 16 07-84	Switch, Plunger Normal Op Olive
30	532 17 55-66	Switch, Ign
33	532 14 04-01	Key
40	532 18 54-19	Harness Ign.
42	532 15 43-36	Cover, Terminal Red
45	532 17 75-00	Ammeter
46	532 17 75-01	Hourmeter
50	532 17 46-51	Switch, PTO
79	532 17 52-42	Socket Assembly Bulb
81	532 10 97-48	Relay Asm.

NOTE: All component dimensions given in U.S. inches
1 inch = 25.4 mm

REPAIR PARTS

TRACTOR - MODEL NO. GTH2248XP (GTH2248XPB), PRODUCT NO. 954 56 78-88
CHASSIS AND ENCLOSURES



chassis-stealth_20-vgt

REPAIR PARTS

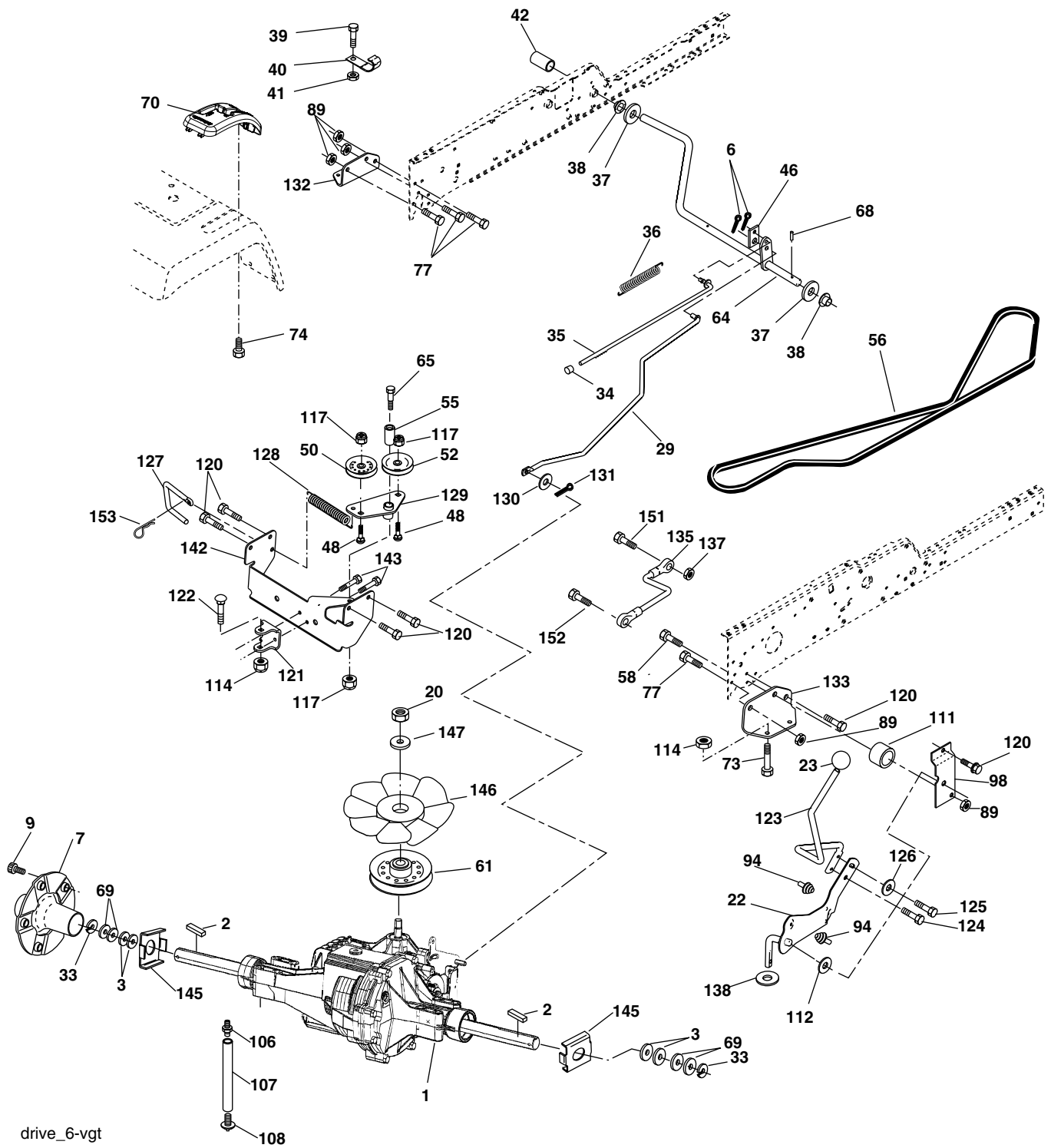
TRACTOR - MODEL NO. GTH2248XP (GTH2248XPB), PRODUCT NO. 954 56 78-88 CHASSIS AND ENCLOSURES

KEY NO.	PART NO.	DESCRIPTION	KEY NO.	PART NO.	DESCRIPTION
1	532 18 03-75	Rail, Frame RH	47	817 49 06-08	Screw Thdrol 3/8-16 x 1/2
2	532 17 52-82	Drawbar, Gt	50	532 17 54-76	Bracket, Chassis Front
5	532 18 56-04	Dash, Plastic	56	532 17 60-16	Bracket Asm., Susp Chassis Lh
6	532 15 78-82	Dash, 1PCS, Lower	58	532 18 35-69	Bracket Asm., Fender
7	817 72 04-08	Screw, Thd Cut 1/4-20 x 1/2	68	817 49 05-08	Screw, 5/16-18 x 1/2
8	532 14 51-66	Support, Battery	86	874 78 07-20	Bolt, Fin Hex 7/16-14 Unc x 1-1/4
14	532 17 75-83	Hood Asm., Pnt	91	532 18 03-74	Rail, Frame Lh
15	532 16 18-41	Lens LH	99	532 17 71-43	Rod Asm. Bypass
16	532 12 17-94	Cover, Access	122	532 16 14-64	Screw Hex WSHD 8-18 x 7/8
17	817 06 06-12	Screw, 3/8-16 x 3/4	130	532 17 18-75	Screw Hw Hd Hi-Lo #13-16 x 3/4
18	532 17 75-84	Grille	138	532 18 17-98	Cupholder
19	819 13 13-12	Washer 13/32 x 13/16 x 12 Ga.	139	532 17 18-73	Bolt Shoulder 5/16-18
20	874 76 06-16	Bolt, Fin Hex 3/8-16 x 1	142	532 16 18-97	Bracket Dash Stealth RH
21	873 80 06-00	Nut, Crownlock 3/8-16	143	532 17 75-86	Skirt Grille RH
24	532 18 10-58	Footrest, RH	144	532 16 19-00	Bracket Dash Stealth LH
25	532 16 18-42	Lens RH	146	532 17 75-87	Skirt Grille LH
28	532 18 10-57	Footrest, LH	148	532 16 46-55	Extrusion Bumper
30	532 14 50-52	Saddle	150	532 16 12-37	Duct Heat Hood
31	532 16 14-19	Bracket Supt 1-pc Vgt Steering	152	532 17 79-56	Shield, Browning
32	532 16 13-27	Bracket, Frame Pivot Lh	153	532 17 97-65	Light Box Asm. w/Lens
33	532 16 13-26	Bracket, Frame Pivot Rh	156	817 00 05-12	Screw 5/16-18 x 3/4
34	532 17 70-18	Plate Asm Engine Chassis	159	817 00 06-12	Screw 3/8-16 x 3/4
35	819 11 11-16	Washer 11/32 x 11/16 x 16 Ga.	161	532 18 17-87	Console Fuel Window
36	817 06 05-12	Screw 5/16-18 x 3/4	162	532 14 24-32	Screw Hex 1/4-1/2 Unc
37	532 18 17-20	Fender, Pnt.	165	532 18 35-54	Bracket Support Tank
39	532 17 52-78	Bracket, Axle Front	166	873 68 07-00	Nut, Crown Lock 7/16-14 Unc
43	532 13 69-39	Bracket, Spnsn Front Lh			
44	532 13 69-40	Bracket, Spnsn Front Rh			
45	532 17 60-18	Bracket Asm., Susp Chassis Rh			

NOTE: All component dimensions given in U.S. inches
1 inch = 25.4 mm

REPAIR PARTS

TRACTOR - MODEL NO. GTH2248XP (GTH2248XPB), PRODUCT NO. 954 56 78-88
GROUND DRIVE



REPAIR PARTS

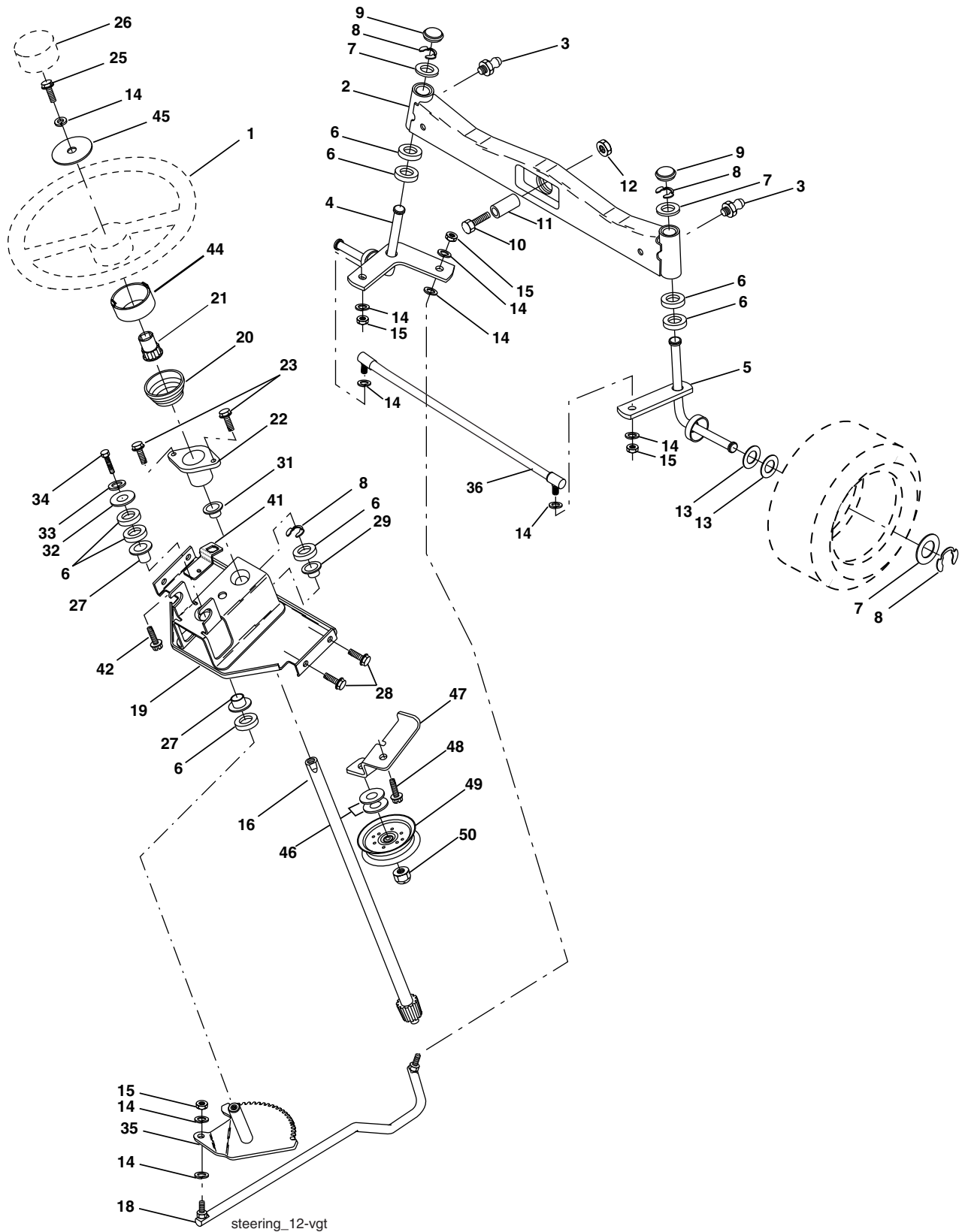
TRACTOR - MODEL NO. GTH2248XP (GTH2248XPB), PRODUCT NO. 954 56 78-88
GROUND DRIVE

KEY NO.	PART NO.	DESCRIPTION	KEY NO.	PART NO.	DESCRIPTION
1	-----	Transaxle Hydro Gear 331-3000 (Order Parts From Transaxle Manufacturer)	98	532 14 10-04	Bracket Shift
2	532 00 70-70	Key Sq. 1/4 x 2.5	106	532 14 29-18	O-Ring Asm Hydro Gear
3	532 00 75-63	Washer	107	532 15 47-39	Line Fuel Hydro 15" VGT
6	876 02 04-12	Pin, Cotter	108	532 14 29-17	Cap Asm Vent Hydro Gear
7	532 14 05-07	Wheel, Hub Assembly	111	532 15 62-40	Spacer Shift Lever VGTH
9	532 14 00-80	Bolt, Hub	112	532 15 61-04	Washer Nylon High Temp
20	873 94 08-00	Nut	114	873 80 05-00	Nut Lock Hex W/Ins 5/16-18 Unc
22	532 18 02-35	Lever Asm Shift	117	873 90 06-00	Nut, Lock Flg. 3/8-16
23	532 14 08-45	Knob	120	817 06 06-12	Screw 3/8-16 x .75
29	532 17 66-00	Brake, Rod	121	532 17 56-11	Bracket Strap Torque
33	812 00 00-53	Ring E	122	872 01 05-20	Bolt RDHDSQ 5/16-18 Unc x 2-1/2
34	532 07 16-73	Cap, Parking Brake	123	532 18 32-54	Rod Shift
35	532 13 76-48	Rod, Parking Brake	124	532 16 54-92	Bolt Shoulder 5/16-18 x .561
36	532 14 94-12	Spring, Drive Ground	125	532 16 68-80	Screw 5/16-18 x 5/8
37	532 12 17-49	Washer 25/32 x 1-1/4 x 16 Ga.	126	532 16 60-02	Washer SRRTD 5/16 ID x 1.0 x .125
38	532 15 00-35	Nyliner	127	532 17 73-62	Link Control Clutch
39	874 32 10-16	Screw, Fin. #10-24 x 1	128	532 17 66-24	Spring Drive GRND
40	532 17 85-75	Actuator, Interlock VGT	129	532 17 94-73	Bracket Asm Idler Tensioning
41	873 93 10-00	Nut Centerlock 10-24 Unc	130	819 13 10-16	Washer 13/32 x 5/8 x 16 Ga.
42	532 12 48-72	Cover, Pedal	131	876 02 03-12	Pin Cotter 3/32 x 3/4
46	532 14 51-70	Retainer, Spring	132	532 17 54-67	Bracket Mtg Hydro 3500 LH VGT
48	872 11 06-14	Bolt Rdhd 3/8-16 x 1-3/4 Gr. 5	133	532 17 54-68	Bracket Mtg Hydro 3500 RH VGT
50	532 13 14-94	Pulley, Idler, Flat	135	532 17 73-64	Link Asm Control Hydro 3500
52	532 12 77-83	Pulley, Idler, Grooved	137	532 00 16-85	Nut Lock 5/16-18 NC Thd.
55	532 10 57-06	Bearing, Idler	138	532 00 13-70	Washer Thrust 5/8 x 1.10 x 1/32
56	532 16 15-97	V-Belt	142	532 17 54-69	Strap Torque HG-3500
58	874 76 07-24	Bolt Fin Hex 7/16-14 x 1-1/2	143	817 06 05-12	Screw Thdrol 5/16-18 x 3/4
61	532 14 39-95	Pulley, Transaxle	145	532 16 31-68	Washer Axle Flange HG-3000
64	532 17 66-01	Shaft, Brake Pedal	146	532 14 04-62	Fan 7" Hydro
65	532 17 96-13	Bolt, Shoulder	147	532 14 13-22	Washer
68	532 00 51-42	Pin, Roll	148	817 06 06-20	Screw 3/8-16 x 1.0-1/4
69	532 12 38-00	Washer	151	874 76 05-14	Bolt Hex 5/16-18 x 7/8
70	532 18 17-88	Console Automatic YT/GT	152	532 17 87-05	Bolt Hex 5/16 x 1 W/Patch
73	874 49 05-48	Bolt Hex Flghd 5/16-18 x 3 Gr. 5	153	532 12 47-88	Spring, Retainer
74	532 14 24-32	Screw Hex Wsh. Hi-Lo 1/4-1/2			
77	874 78 07-16	Bolt Fin Hex 7/16-14 x 1			
89	873 68 07-00	Nut Crownlock 7/16-14 Unc			
94	532 13 38-35	Fastener Christmas Tree			

NOTE: All component dimensions given in U. S. inches 1 inch = 25.4 mm

REPAIR PARTS

TRACTOR - MODEL NO. GTH2248XP (GTH2248XPB), PRODUCT NO. 954 56 78-88
STEERING ASSEMBLY



REPAIR PARTS

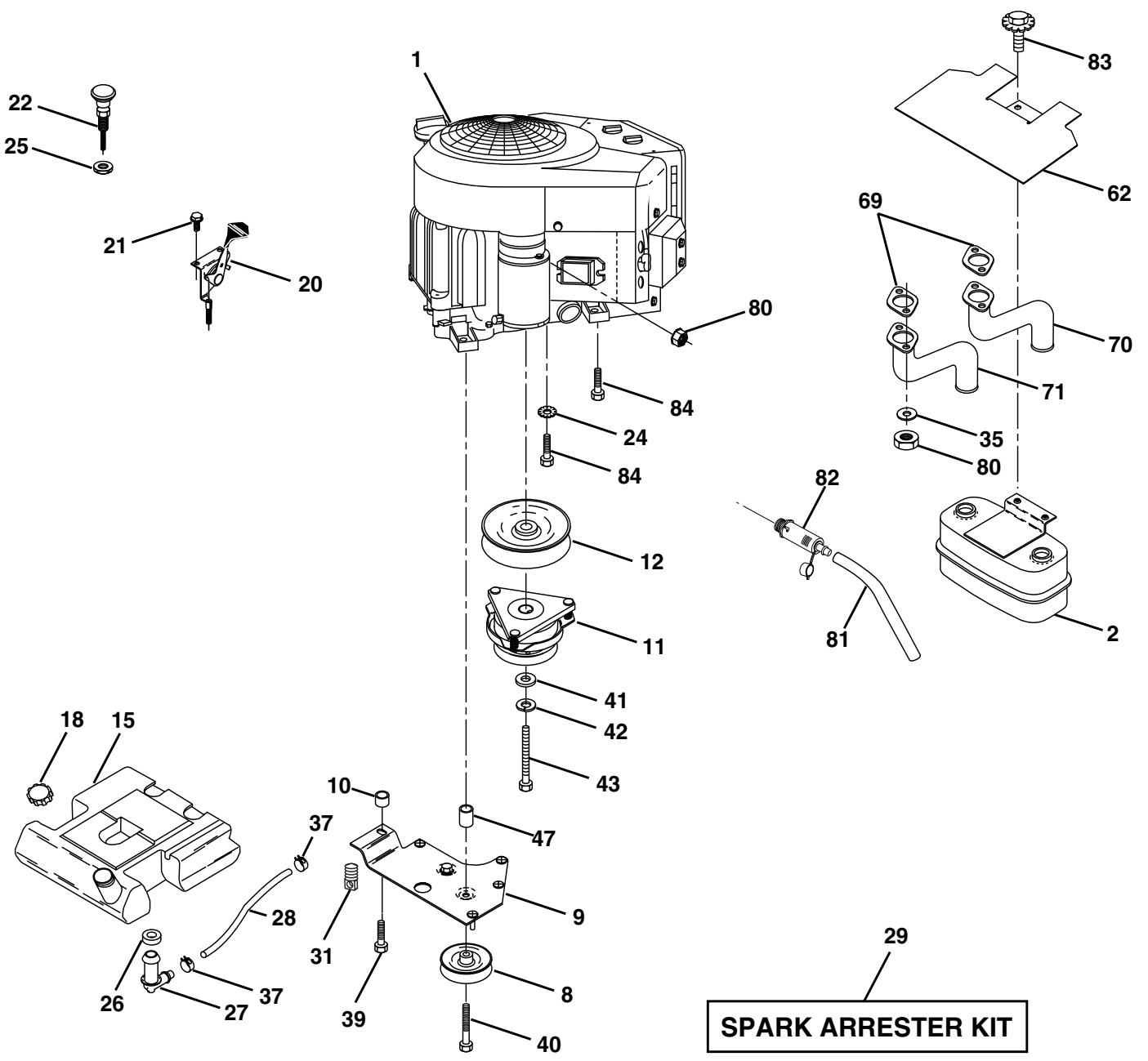
TRACTOR - MODEL NO. GTH2248XP (GTH2248XPB), PRODUCT NO. 954 56 78-88
STEERING ASSEMBLY

KEY NO.	PART NO.	DESCRIPTION
1	532 16 66-27	Wheel, Steering
2	532 17 85-57	Axle Asm., Front
3	532 12 48-36	Fitting, Grease
4	532 16 18-49	Spindle Asm, LH
5	532 16 18-48	Spindle Asm., RH
6	532 12 49-31	Bearing, Race Thrust Harden
7	532 12 17-48	Washer 25/32 x 1-5/8 x 16 Ga.
8	812 00 00-29	Ring, Klip #T5304-75
9	532 12 12-32	Cap, Spindle
10	874 78 10-44	Bolt, Fin Hex 5/8-11 x 2-3/4
11	532 13 65-18	Spacer Brg Axle Front 1.570
12	873 90 10-00	Nut, Lock Flange 5/8-11 Unc
13	532 12 17-49	Washer 25/32 x 1-1/4 x 16 Ga.
14	810 04 06-00	Washer, Lock Hvy Hlcl Spr 3/8
15	532 12 47-01	Nut Lock Center 3/8-24 Unf
16	532 14 51-03	Shaft Asm., Steering
18	532 17 55-72	Draglink, Ball Joint Solid Vgt
19	532 15 60-11	Support Asm., Steering Vgt
20	532 17 75-92	Boot Steering
21	532 15 99-45	Adapter, Wheel Steering
22	532 15 51-05	Bushing, Strg.
23	532 15 29-27	Screw
25	874 78 06-16	Bolt, Fin Hex 3/8-16 x 1 Gr. 5
26	532 16 66-26	Cap , Wheel Steering
27	532 12 49-37	Bearing, Col. Strg.
28	817 00 06-12	Screw 3/8-16 x 3/4
29	532 10 42-39	Bearing, Flange
31	532 13 81-36	Bushing, Nyliner Snap
32	819 11 16-10	Washer 11/32 x 1 x 10 Ga.
33	810 04 05-00	Washer, Lock Hvy Hlcl Spr 5/16
34	874 78 05-12	Bolt, Hex Hd 5/16-18 x 3/4
35	532 13 80-59	Gear, Sector Steering
36	532 18 67-99	Tie Rod
41	532 15 52-46	Bracket Switch Inerlock VGT97
42	817 49 05-08	Screw 5/16-18 x 1/2
44	532 17 75-93	Extension Steering Premium
45	819 13 24-11	Washer 13/32 x 1-1/20 x 11 Ga.
46	819 13 16-10	Washer Flat 13/32 x 1 x 10 Ga.
47	532 17 94-71	Bracket Asm. Idler
48	817 06 06-12	Screw 3/8-16 x .75
49	532 17 58-20	Pulley Idler Flat
50	873 90 06-00	Nut Lock Flg 3/8-16 Unc

NOTE: All component dimensions given in U.S. inches
1 inch = 25.4 mm

REPAIR PARTS

TRACTOR - MODEL NO. GTH2248XP (GTH2248XPB), PRODUCT NO. 954 56 78-88
ENGINE



engine-kawasaki_1 vgt

REPAIR PARTS

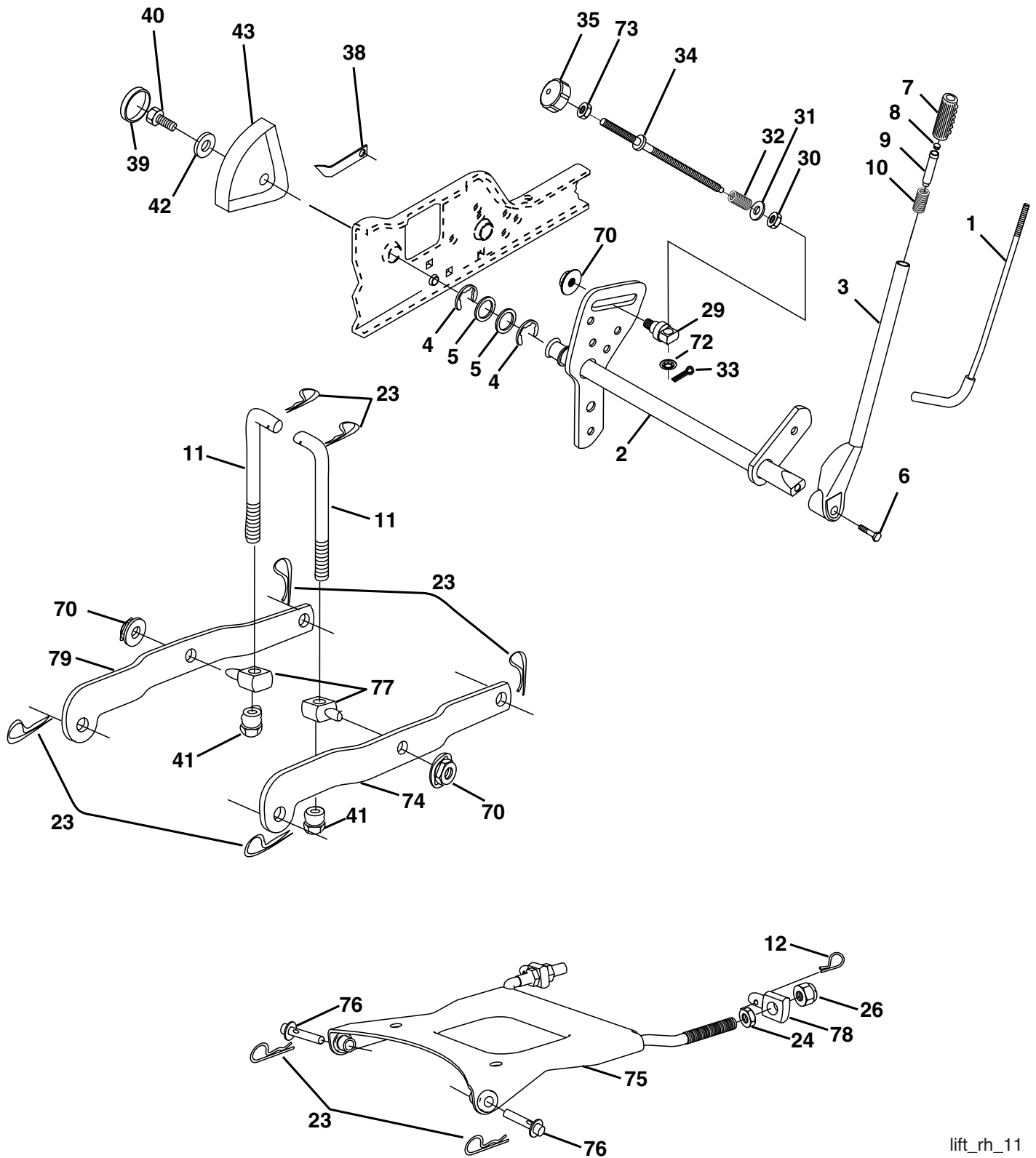
TRACTOR - MODEL NO. GTH2248XP (GTH2248XPB), PRODUCT NO. 954 56 78-88
ENGINE

KEY NO.	PART NO.	DESCRIPTION
1	-----	Engine Kawasaki, Model No. FH641V (Order parts from engine manufacturer)
2	532 14 97-23	Muffler Side
8	532 12 13-61	Pulley V-Idler
9	532 17 77-48	Keeper Asm. Belt Engine VGT
10	532 17 52-87	Bushing
11	532 17 93-35	Clutch Electric
12	532 14 39-96	Pulley Engine VGT Elect Clutch
15	532 17 91-15	Tank Fuel 5.0
18	532 18 18-03	Cap Fuel
20	532 17 81-47	Control Throttle
21	532 17 18-75	Screw HWHD Hi-Lo #13-16 x 3/4
22	532 17 81-48	Control Choke
24	811 05 06-00	Washer Ext Tooth 3/8
25	873 92 06-00	Nut Keps 3/8-24 Unf
26	532 00 36-45	Bushing
27	532 13 92-77	Stem Tank Fuel
28	532 00 78-34	Fuel Line
29	532 13 71-80	Spark Arrester Kit
35	810 01 05-00	Washer
37	532 12 34-87	Clamp Hose
39	817 49 06-36	Screw TT 3/8-16 x 2-1/4 Unc
40	817 49 06-64	Screw TT 3/8-16 x 4 Unc
41	532 12 61-97	Washer 1-1/2 OD x 15/32 ID x .250
42	810 04 07-00	Washer Lock 7/16
43	532 17 99-53	Bolt Hex 7/16-20 x 3.75 Ga 5
47	532 17 52-88	Bushing
62	532 17 62-52	Shield Heat Muffler
69	-----	Gasket (Order from Enigne Manufacturer)
70	532 17 57-67	Tube Exhaust RH
71	532 17 57-66	Tube Exhaust LH
80	532 16 33-05	Nut Flange M8-1.25
81	532 14 84-56	Tube Drain Oil Easy
82	-----	Plug Oil Drain ((Order parts from engine manufacturer)
83	532 17 18-77	Bolt 5/16-18unc x 1-3/4 W/Sems
84	817 06 06-24	Screw 3/8-16 x 1-1/2

NOTE: All component dimensions given in U.S. inches
1 inch = 25.4 mm

REPAIR PARTS

TRACTOR - MODEL NO. GTH2248XP (GTH2248XPB), PRODUCT NO. 954 56 78-88
LIFT ASSEMBLY



lift_rh_11

REPAIR PARTS

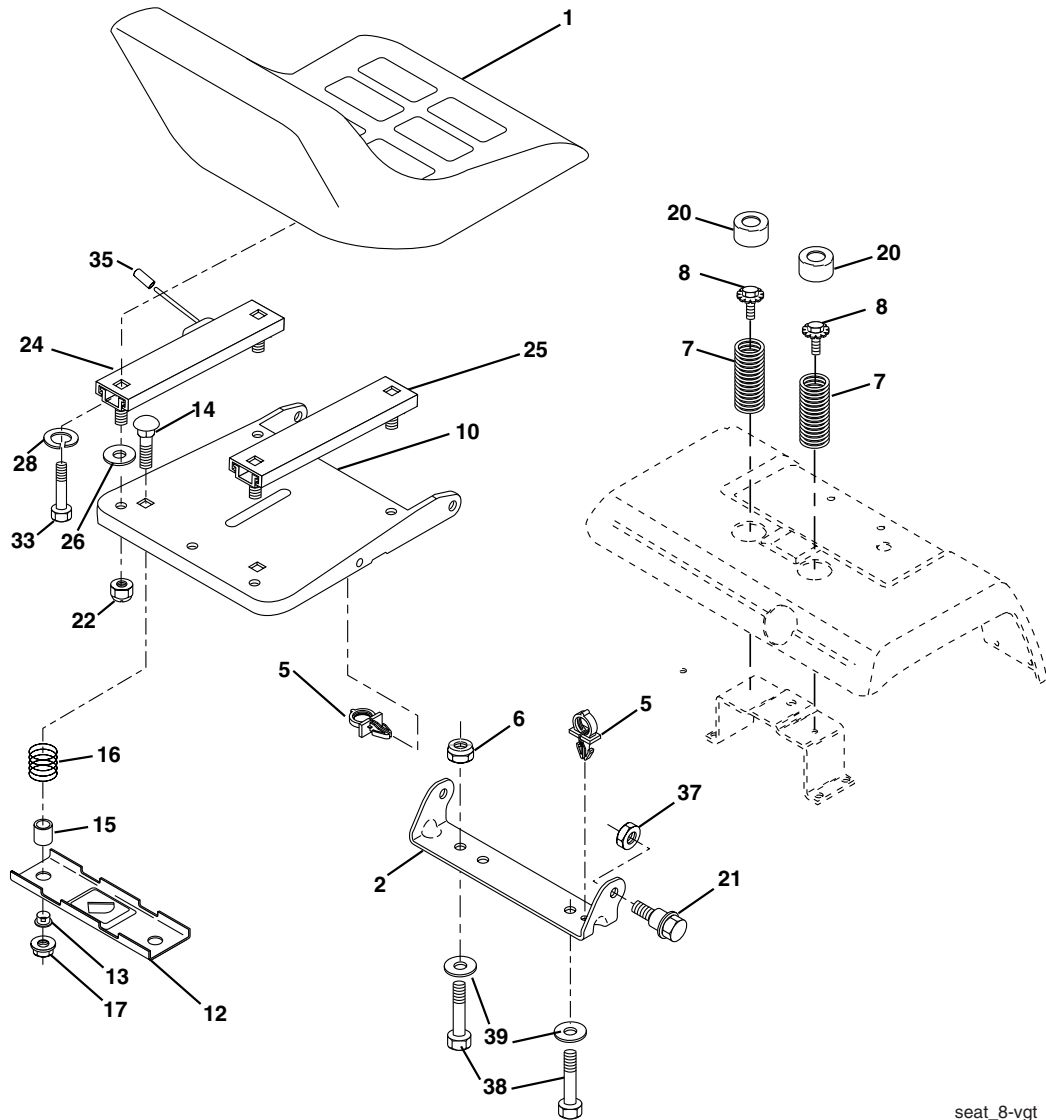
TRACTOR - MODEL NO. GTH2248XP (GTH2248XPB), PRODUCT NO. 954 56 78-88
LIFT ASSEMBLY

KEY NO.	PART NO.	DESCRIPTION
1	532 12 10-06	Rod Asm., Lever
2	532 18 00-45	Shaft Asm., Lift Vgt
3	532 15 91-89	Lever Asm., Lift Rh
4	812 00 00-22	E-Ring Truarc #5133-87
5	819 29 20-16	Washer 29/32 x 1-1/4 x 16 Ga.
6	871 11 06-24	Bolt, Fin Hex 3/8-16 x 1-1/2
7	532 12 56-31	Grip, Handle
8	532 12 45-26	Button Plunger
9	532 12 23-64	Plunger, Lever Lift
10	532 18 38-94	Spring
11	532 17 53-75	Link Lift
12	532 16 35-52	Retainer, Spring
23	532 12 46-70	Retainer, Spring
24	873 35 08-00	Nut, Jam Hex 1/2-13 Unc
26	873 68 08-00	Nut Crownlock 1/2-13 Unc
29	532 15 02-33	Trunnion Infin Height
30	532 11 08-07	Nut, Special
31	819 13 10-16	Washer 13/32 x 5/8 x 16 Ga.
32	532 13 71-50	Spring, Compression Inf Hgt
33	876 02 03-08	Pin, Cotter 3/32 x 1/2
34	532 13 71-67	Rod, Adj Lift
35	532 13 80-57	Knob, Inf 3/8-16 Unc
38	532 15 50-97	Pointer Height Indicator
39	532 12 39-35	Plug, Hole Blk. 1.485/1.515 Dia.
40	817 06 05-16	Screw 5/16-18 x 1
41	532 17 59-94	Nut, Lift Link
42	819 11 24-10	Washer 11/32 x 1-1/2 x 10 Ga.
43	532 12 39-34	Scale, Indicator Height
70	532 14 52-12	Nut Hex Flange Lock
72	532 11 04-52	Nut Push Phos & Oil
73	873 35 06-00	Nut, Hex Jam 3/8-16 Unc
74	532 17 58-02	Arm, Suspension Rear RH
75	532 17 58-05	Plate, Asm, Susp, Front
76	532 17 55-60	Pin Flange
77	532 17 62-05	Trunnion Susp. Arm
78	532 17 56-89	Trunnion, Front, Susp
79	532 17 53-78	Arm, Suspension Rear LH

NOTE: All component dimensions given in U.S. inches
1 inch = 25.4 mm

REPAIR PARTS

TRACTOR - MODEL NO. GTH2248XP (GTH2248XPB), PRODUCT NO. 954 56 78-88
SEAT ASSEMBLY



seat_8-vgt

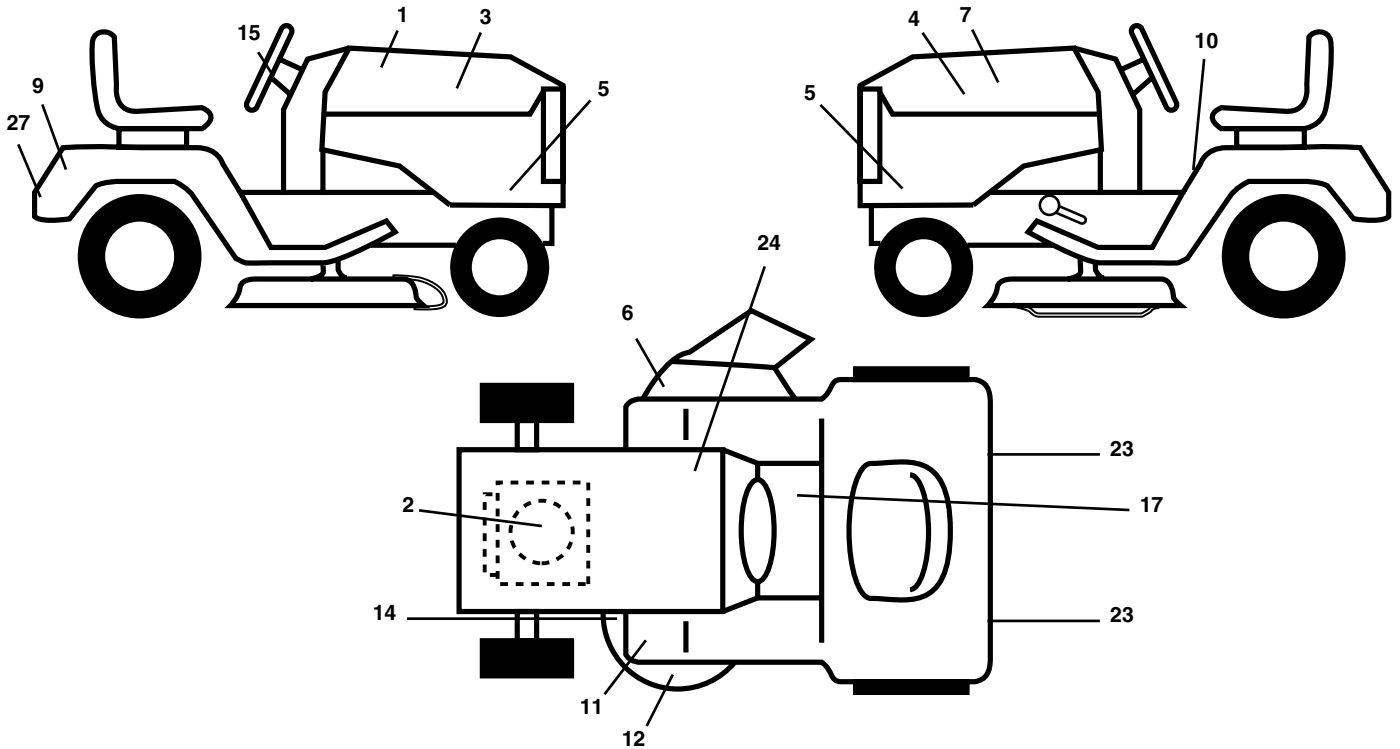
KEY NO.	PART NO.	DESCRIPTION
1	532 18 49-95	Seat
2	532 14 05-51	Bracket, Pivot Seat
5	532 14 50-06	Clip, Push In Hinged
6	873 80 06-00	Nut, Crownlock 3/8-16
7	532 12 41-81	Spring, Seat Cprsn
8	532 17 18-77	Bolt 5/16-18 Unc x 3/4
10	532 18 24-93	Pan, Seat
12	532 12 12-46	Bracket, Mounting Switch
13	532 12 12-48	Bushing, Snap
14	872 05 04-12	Bolt, Carriage 1/4-20 x 1-1/2
15	532 12 12-49	Spacer, Split
16	532 12 37-40	Spring, Cprsn
17	532 12 39-76	Nut, Lock 1/4 Lge Flg Gr. 5

KEY NO.	PART NO.	DESCRIPTION
20	532 12 42-38	Cap, Spring Seat
21	532 17 18-52	Bolt, Shoulder 5/16-18
22	873 80 05-00	Nut, Crownlock 5/16-18
24	532 17 79-46	Track Slide Seat LH
25	532 17 79-47	Track Slide Seat RH
26	819 11 10-12	Washer 11/32 x 5/8 x 12 Ga.
28	810 01 05-00	Washer Split
33	874 78 05-12	Bolt Fin Hex 5/16-18 Unc x 3/4
35	532 17 84-26	Cap Vinyl 1 x .34 Red
38	871 11 06-16	Bolt 3/8-16 x 1
39	819 13 16-10	Washer 13/32 x 1 x 10 Ga.

NOTE: All component dimensions given in U.S. inches
1 inch = 25.4 mm

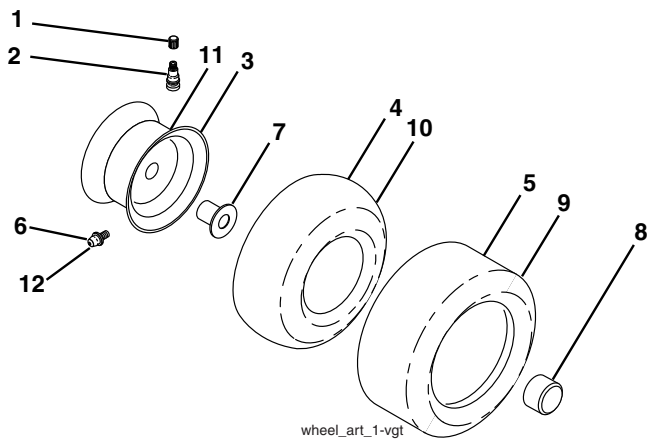
REPAIR PARTS

TRACTOR - MODEL NO. GTH2248XP (GTH2248XPB), PRODUCT NO. 954 56 78-88
DECALS



KEY NO.	PART NO.	DESCRIPTION	KEY NO.	PART NO.	DESCRIPTION
1	532 18 10-63	Decal, Final	14	532 17 52-91	Decal, V-Belt Schematic
2	532 18 00-94	Decal, Engine	15	532 17 05-64	Decal, Ins. Strg Whl
3	532 17 96-29	Decal, Hood, RH	17	532 18 28-54	Decal, Saddle Oper.
4	532 17 96-30	Decal, Hood, LH	23	532 10 62-02	Reflector, Taillight
5	532 18 00-91	Decal, Side Panel	24	532 14 50-05	Decal, Btry Dngr/Psn
6	532 17 05-63	Decal, Warning	27	532 16 69-60	Decal, Drawbar
7	532 18 09-41	Decal, Hood Cust. Resp.	--	532 13 83-11	Decal, Handle Lift (Lift Handle)
9	532 17 68-22	Decal, Fender	--	532 18 19-16	Pad Footrest LH
10	532 15 71-40	Decal, Danger	--	532 18 19-17	Pad Footrest RH
11	532 18 12-53	Decal, Foot Rest	--	532 18 47-58	Manual, Owner's (English)
12	532 17 85-02	Decal, Deck Caution	--	532 18 47-59	Manual, Owner's (French)

WHEELS & TIRES

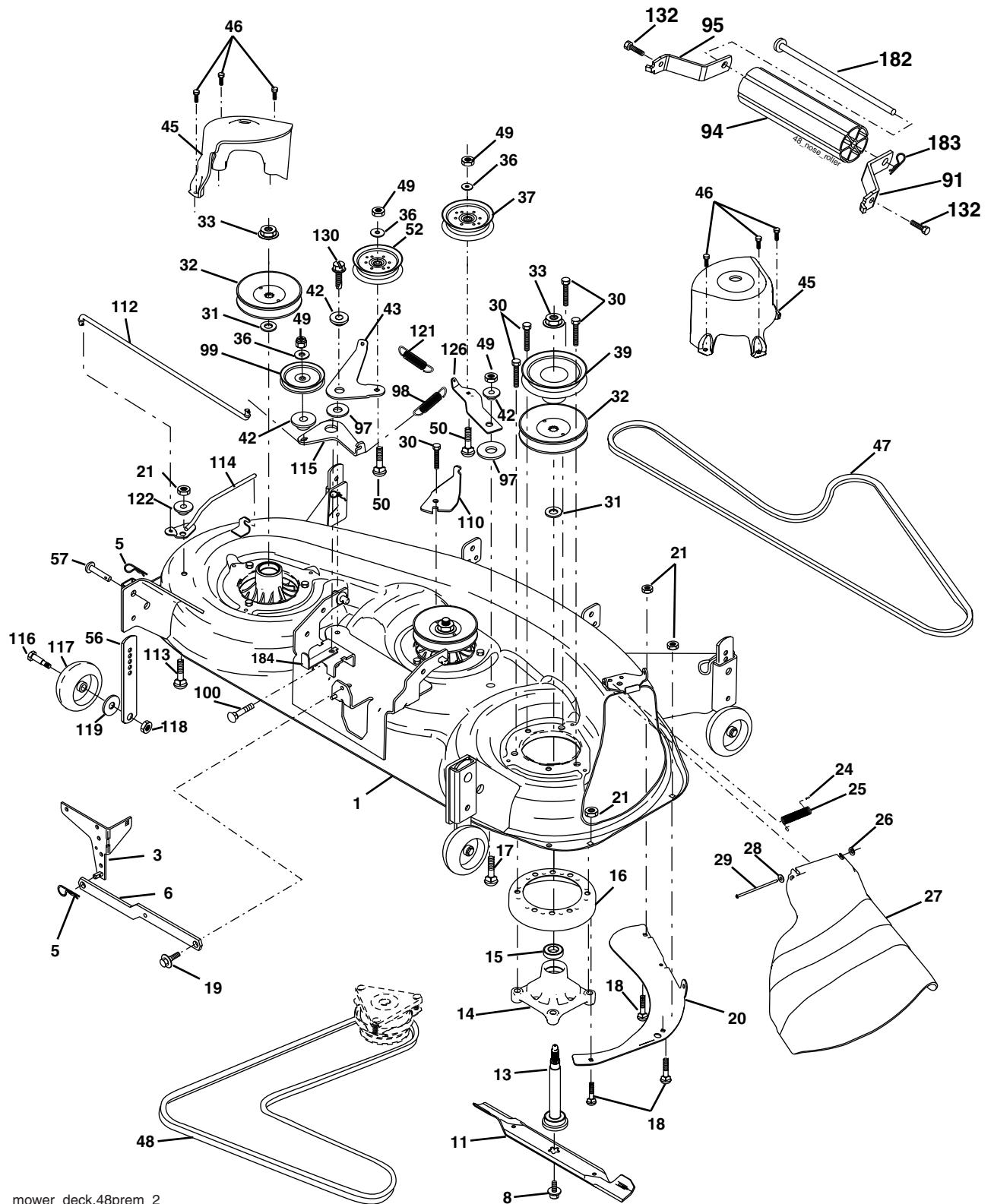


KEY NO.	PART NO.	DESCRIPTION
1	532 05 91-92	Cap, Valve, Tire
2	532 06 51-39	Stem, Valve
3	532 14 45-09	Rim Assembly, Front
4	532 00 81-34	Tube, Front (Service Item Only)
5	532 10 62-30	Tire, Front
6	532 12 49-57	Fitting, Grease
7	532 12 49-59	Bearing, Flange (Front Wheel Only)
8	532 17 50-39	Cap, Hub
9	532 10 55-88	Tire, Rear
10	532 00 71-54	Tube, Rear (Service Item Only)
11	532 14 45-10	Rim Assembly, Rear
12	532 12 48-60	Fitting, Grease
--	532 14 43-34	Sealant, Tire (10 oz. Tube)

NOTE: All component dimensions given in U.S. inches
1 inch = 25.4 mm

REPAIR PARTS

TRACTOR - MODEL NO. GTH2248XP (GTH2248XPB), PRODUCT NO. 954 56 78-88
MOWER DECB



mower_deck.48prem_2

REPAIR PARTS

**TRACTOR - MODEL NO. GTH2248XP (GTH2248XPB), PRODUCT NO. 954 56 78-88
MOWER DECK**

KEY NO.	PART NO.	DESCRIPTION	KEY NO.	PART NO.	DESCRIPTION
1	532 18 18-48	Deck Weldment Mower 48	47	532 18 08-08	V-Belt, Mower, Secondary
3	532 17 89-15	Bracket Asm., Sway Bar	48	532 17 43-68	V-Belt, Mower, Primary
5	532 12 46-70	Retainer Spring	49	873 68 06-00	Nut, Crownlock 3/8-16 Unc
6	532 17 80-24	Sway Bar Deck	50	872 11 06-12	Bolt, Carr. 3/8-16 x 1-1/2 Gr. 5
8	532 17 43-65	Bolt 7/16 Asm. Blade (The following blades are available)	52	532 17 58-20	Pulley Idler Flat
11	532 17 39-21	Blade, 48" Mulching (For mulching mowers only)	56	532 15 59-86	Bar Pnt Adj.
--	532 18 00-54	Blade, 48" Hi-Lift (For bagging and discharging)	57	532 15 69-41	Pin Head Rivet
13	532 17 43-60	Shaft Asm. w/Lower Bearing	91	532 18 05-35	Bracket Asm N Roller RH
14	532 17 43-58	Mandrel Asm.	94	532 17 60-66	Roller Nose 48"
15	532 11 04-85	Bearing, Ball, Mandrel	95	532 18 05-34	Bracket Asm N Roller LH
16	532 17 44-93	Stripper Mandrel Deck	97	532 17 85-15	Washer Hardened
17	872 11 06-10	Bolt RDHD Sq Neck 3/8-16 x 1.25	98	532 17 94-79	Spring Primary Drive
18	872 14 05-05	Bolt, Carriage 5/16-18 x 5/8	99	532 18 40-58	Pulley Idler"V"
19	532 13 28-27	Bolt, Hex Hd, Shoulder 5/16-18	100	872 11 06-16	Bolt RDHD Sqnk 3/8-16 Unc x 2
20	532 17 43-78	Baffle, Vortex Mower	110	532 17 50-16	Arm Spring Secondary
21	873 68 05-00	Nut, Crownlock 5/16-18 Unc	112	532 17 43-87	Link Tension Relief Lever
24	532 10 53-04	Cap, Sleeve	113	872 11 05-06	Bolt Carr. 5/16-18 x 3/4
25	532 17 81-02	Spring, Torsion	114	532 17 43-84	Tension Asm. Relief Lever
26	532 11 04-52	Nut, Push	115	532 17 46-09	Arm Spring Tension Relief
27	532 18 17-07	Deflector Shield	116	532 18 42-19	Bolt, Shoulder
28	819 11 10-16	Washer 11/32 x 5/8 x 16 Ga.	117	532 13 39-57	Gauge Wheel
29	532 13 14-91	Rod, Hinge	118	873 93 06-00	Nut, Centerlock 3/8-16 Unc
30	532 17 39-84	Screw, Thdroll Washer Head	119	819 12 14-14	Washer 3/8 x 7/8 x 14 Ga.
31	532 12 99-63	Washer, Spacer Mower Vented	121	532 17 43-71	Spring Secondary Drive
32	532 17 78-65	Pulley, Mandrel	122	532 17 46-06	Bushing Pivot Tension Relief
33	532 17 83-42	Nut, Flg. Top Lock Cntr. 9/16	126	532 17 43-72	Arm, Idler, Primary Deck
36	819 13 13-16	Washer 13/32 x 13/16 x 16 Ga.	130	817 00 06-16	Screw 3/8-16 x 1.0
37	532 17 79-68	Pulley, Idler, Flat	132	817 00 06-12	Screw 3/8-16 x .75
39	532 17 43-75	Pulley, Idler, Driven	182	532 17 91-27	Rod Roller Nose
42	532 12 20-52	Spacer, Retainer	183	532 16 35-52	Retainer Spring
43	532 17 43-73	Arm, Idler Secondary	184	532 17 39-79	Keeper Belt Idler
45	532 18 08-06	Cover, Mandrel Deck	--	532 18 15-91	Replacement Mower, Complete
46	532 13 77-29	Screw, Thdroll. 1/4-20 x 5/8	--	532 17 43-56	Mandrel Asm. Service (Includes Key Nos. 13-15 and 33)

NOTE: All component dimensions given in U.S. inches
1 inch = 25.4 mm